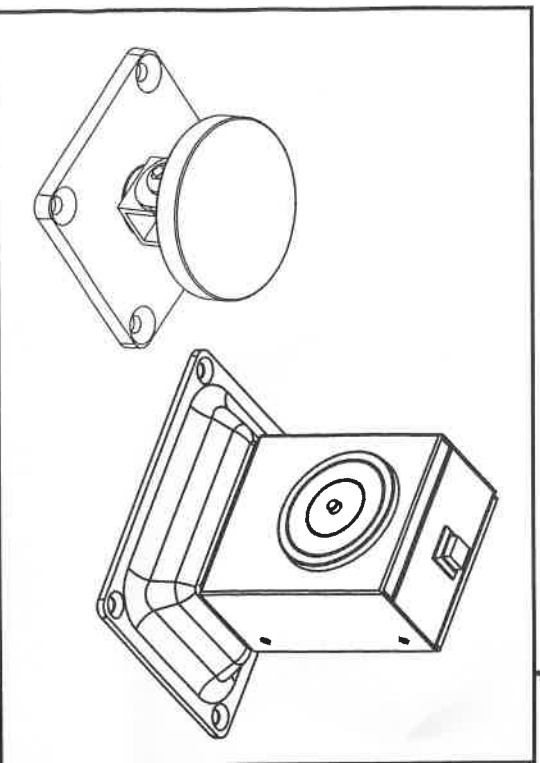


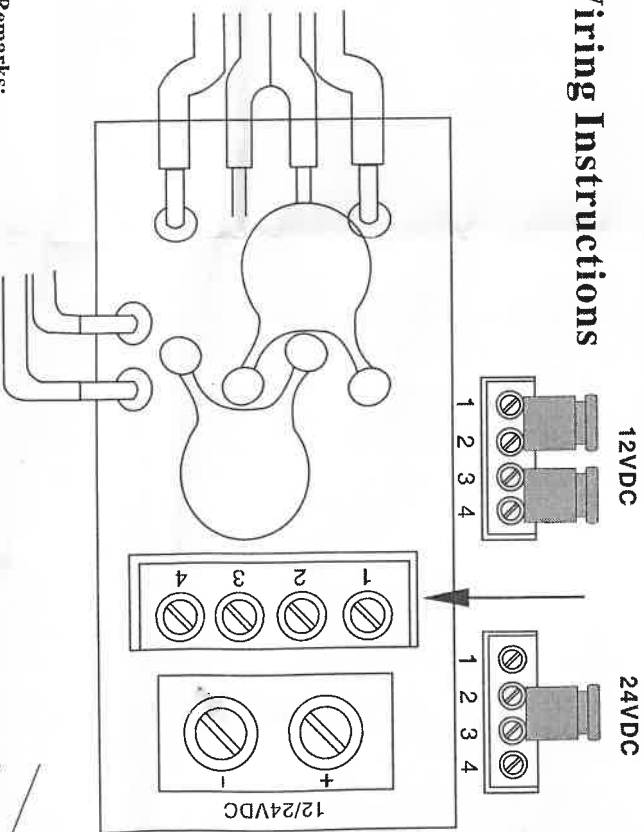
Floor and Wall Mount Door Holder



SPECIFICATIONS	
Dimensions	116Lx93Wx118H(mm)
Voltage Input	12-24VDC Adjustable
Current Draw	24V/70mA
Holding Force	50kg(110Lbs)
Anti-Rust Surface Treatment	Blue Zmc Plating
Operating Temperature	0~55°C
Operating Humidity	0~95%
Weight	1.4kg

- FEATURES:**
- Voltage Selectable 12-24VDC Adjustable
 - Emergency Release Button/Test Button
 - Wall Mounting Direction
 - Low Current Consumption
 - Reliable Fail-Safe Mechanism
 - Durable and Silence Operation

Wiring Instructions



- Remarks:
- The default setting is 24VDC.
 - If user want to connect with 12VDC, operating as below:
 - Pull those two jumpers out. It is showed 4 pins here.
 - To set up 12VDC, insert one jumper on the position of 1 and 2, second jumper on the position of 3 and 4.

